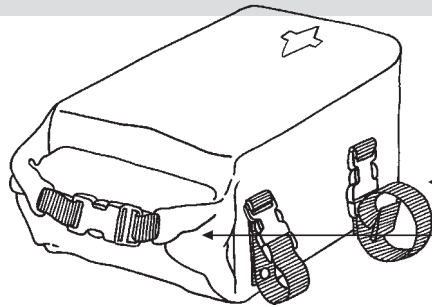


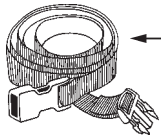
MOTORBIKE TANK RUCKSACK

Tank rucksack with magnetic attachment and roll closure

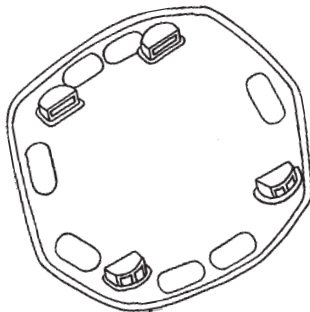


Attachment for map-case or the base plate

Reliable roll closure with side-release buckles ensures waterproof transport



Strap for additional securing



Base-plate with seven strong magnets

Quick adjusting and removing of the bag with side-release buckles

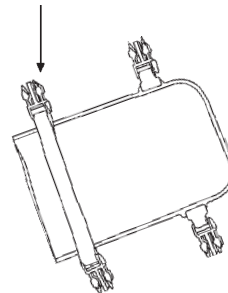


Transparent waterproof mapcase

Fast fixing and removing with side release buckles



	Tank Bag	Base plate	Map Case
↑	25 cm 9.8 in.	-	25 cm 9.8 in.
→	30 cm 11.8 in.	40 cm 15.7 in.	31 cm 12.2 in.
↗	14 cm 5.5 in.	40 cm 15.7 in.	-
📄	15 L 915 cu.in.	-	-
📖	700 g 24.7 oz.	380 g 13.4 oz.	130 g 4.6 oz.



- Waterproof tank-bag for motorcycles with steel tanks
- Adjustable base-plate of non sliding and tank saving material
- Attachment at the tank with seven adhesive magnets
- For protection of the tank paint we recommend an additional foil between tank and magnetic plate
- Additional security at handlebar column with a strap
- Reliable roll closure and useful side-release buckles for attachment one upon another (if two bags are used) and on the base plate
- Inner panel establishes dimensional stability of the bags, even at high speed
- Waterproof map case can be used optionally

NOTE: Due to the strong magnets used, keep cheque cards with magnetic strips away from the base plate to avoid possible loss of data!

Comes with bag, magnetic plate, strap and mapcase

PRODUCT-INFO

mtank0208